

# HTTP/2 HTTP/3

<https://hpbn.co/http2/>

Learning HTTP/2

<http://shop.oreilly.com/product/0636920052326.do>

# HTTP/2

# HTTP/1.x issues

# Measures

# History

- SPDY
  - from Google

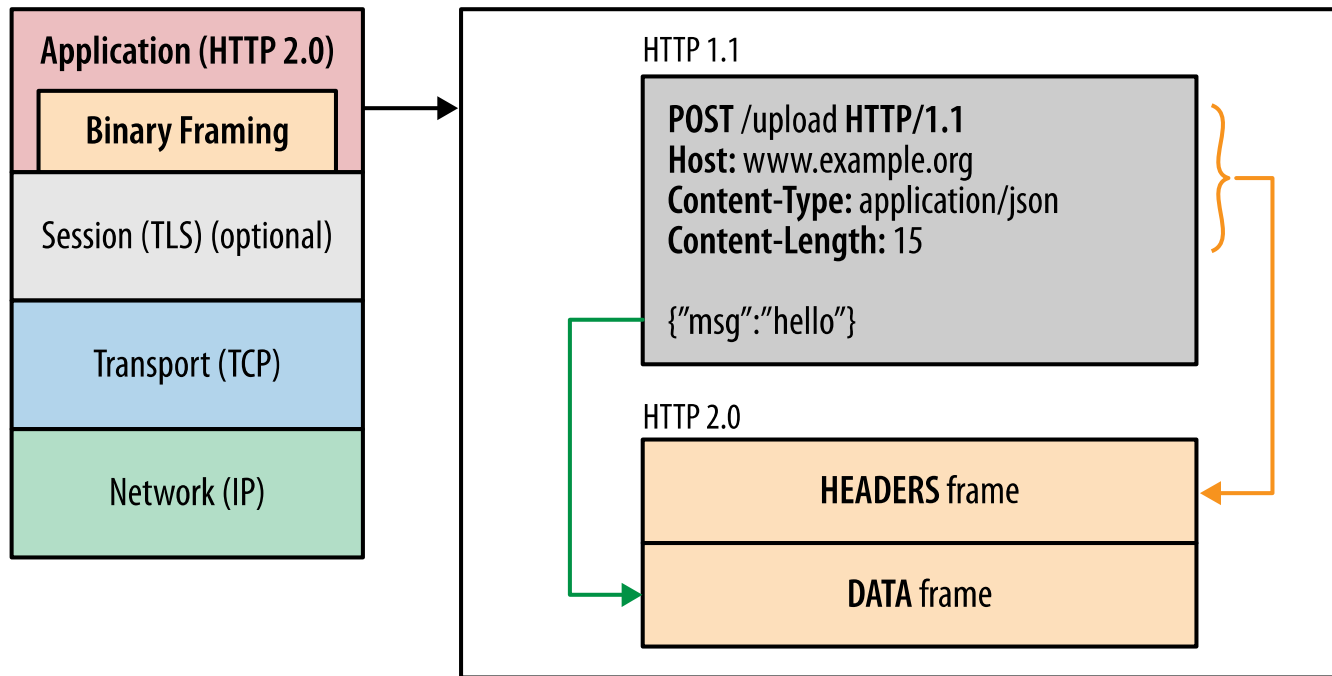
# HTTP/2

- Binary Protocol
- Header Compression
- Multiplexed
- Encrypted

# HTTP/2

- Connection
- Stream
- Frame

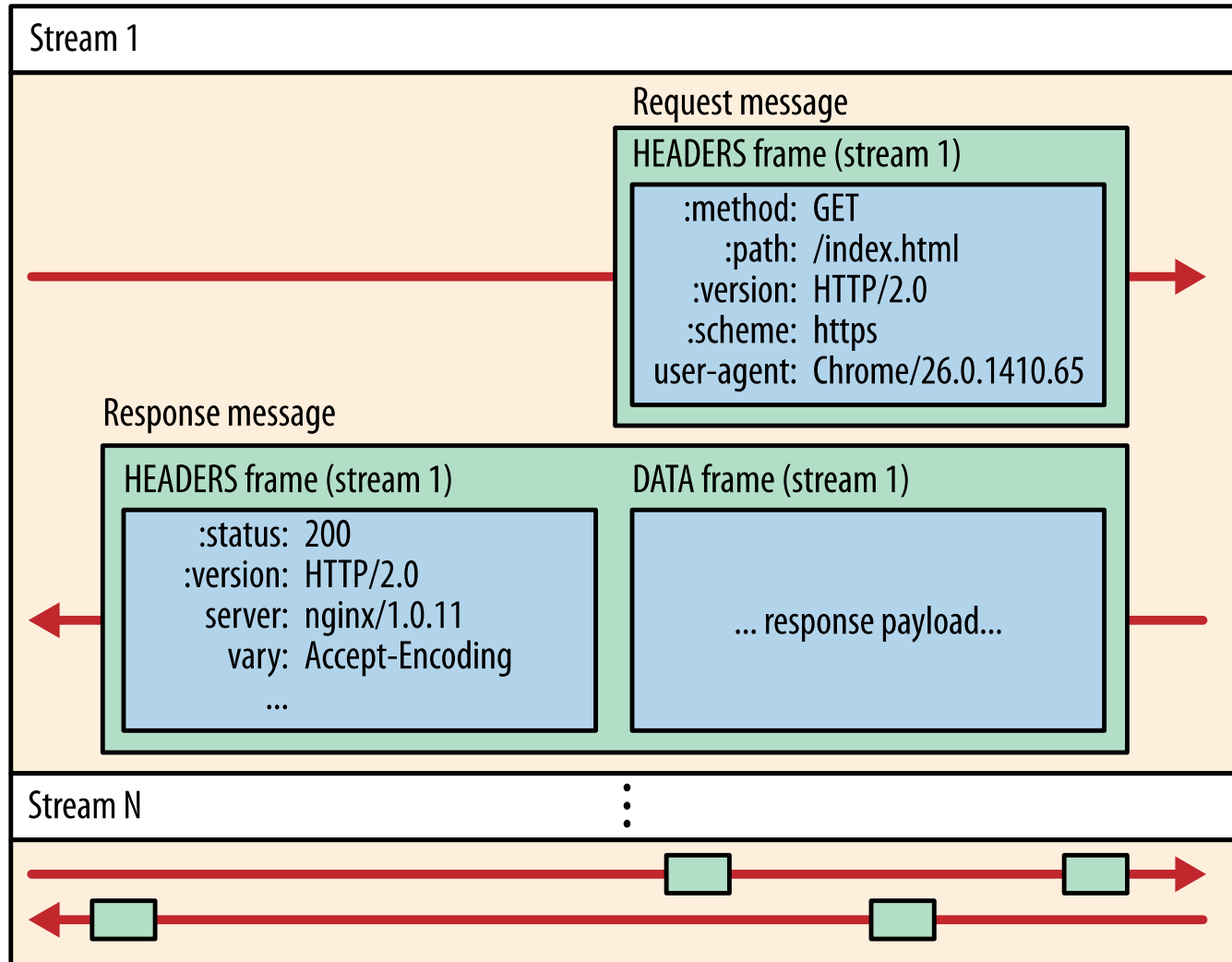
# HTTP 1.x vs 2





# Connection

Connection



<https://hpbnc.co/http2/> Figure 12-2

# Binary Framing

Bit	+0..7	+8..15	+16..23	+24..31
0	Length			Type
32	Flags			
40	R	Stream Identifier		
...	Frame Payload			

<https://hpbn.co/http2/> Figure 12-7

# Multiplexing

# Prioritization

# Flow Control

# Server Push

# Header Compression

# Huffman encoding

<https://www2.cs.duke.edu/csed/poop/huff/info/>



# Performance

[arxiv.org/abs/1707.05836](https://arxiv.org/abs/1707.05836)

# HTTP/3

- QUIC
  - Quick UDP Internet Connections

<https://tools.ietf.org/html/draft-ietf-quic-transport-16>

<https://www.chromium.org/quic>